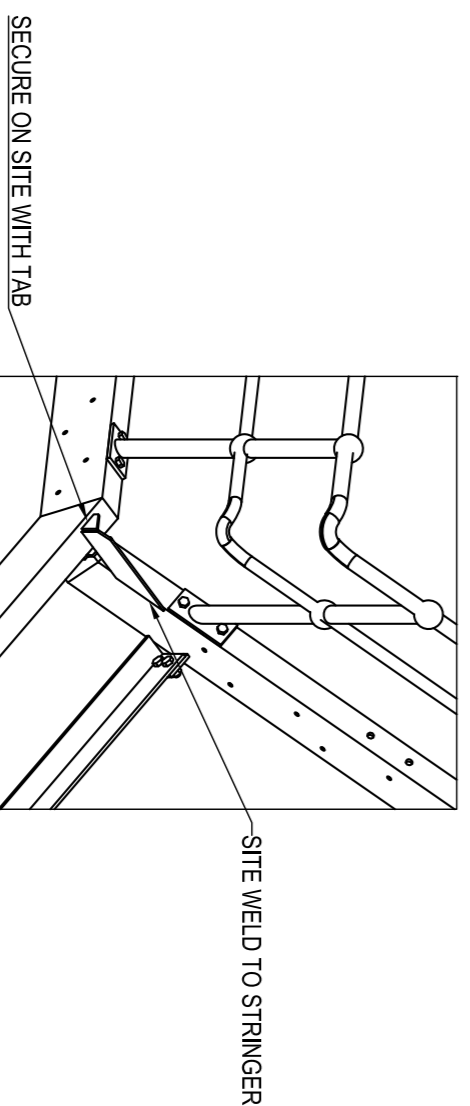


WORKSHOP - HANDRAIL MARKING PLAN
 SCALE 1:30
 SITE WELD CONNECTIONS TO UNDERSIDE OF STANCHION BALL



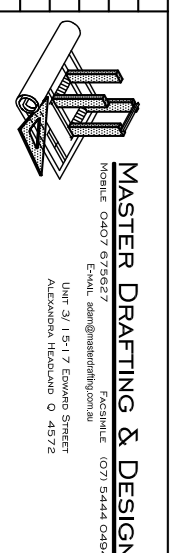
TYP. KICKPLATE DETAIL

TAKE TO SITE A PAINTED LENGTH OF KICKPLATE TO BE USED FOR LOOSE END MOUNTING FOR KICKPLATE ENDS. THIS CAN BE CUT INTO TABS AND SITE WELDED BACK TO THE FLOOR BEAMS TO SECURE THE KICKPLATE ENDS. TOUCH UP ANY DAMAGED PAINT AREAS WITH GOLDEN YELLOW.

NOTES

GENERAL
 - REMOVE ALL SHARP EDGES AND BURRS
 - ALL HOLES DRILL UNLESS NOTED

| REV | DESCRIPTION | DATE | BY |
|-----|------------------|----------|------|
| 1 | FOR CONSTRUCTION | 25/01/22 | DAIS |
| | | | |
| | | | |



SLICK FAB SHOP
 STEEL BUILDING/WORKSHOP LTD
 STEEL FRAMED WORKSHOP - HONGKONG
 WORKSHOP - HONGKONG MARKING PLAN

| | | | |
|----------------|------------|------------------------|-----|
| JOB NUMBER | SHEET SIZE | THIRD ANGLE PROJECTION | REV |
| 1107 | A1 | | A |
| DRAWING NUMBER | | | |
| 1107AMP09 | | | |