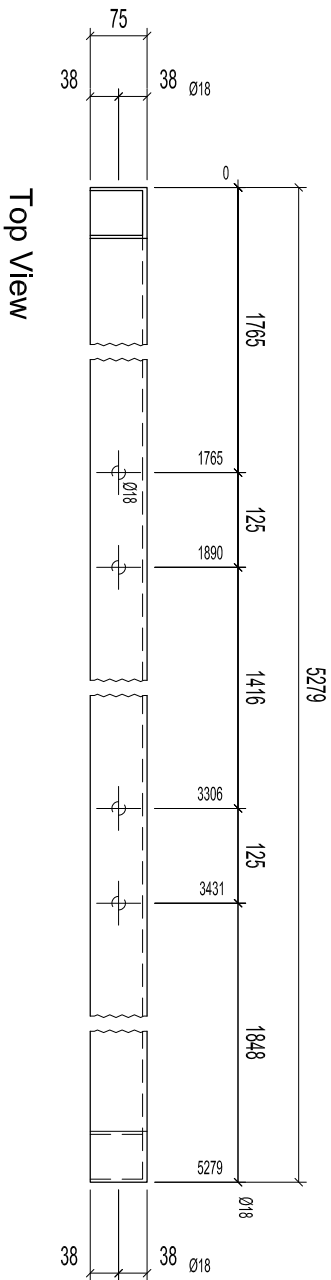
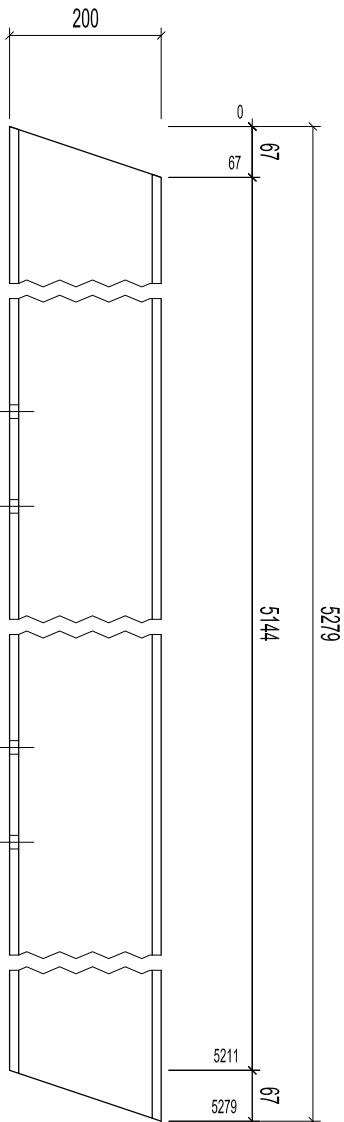


CONTAINMENT LIST		
ASSY	NAME	REQ'D
144	200 PFC	1

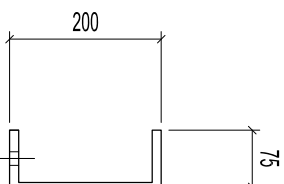


Top View



Part - 1006 Front View

200x75PFC (1 REQ'D)



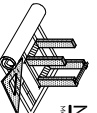
Right View

Total Mass of 1 parts - 119.10 Kg.

ITEM	QTY	NAME	LENGTH	MASS	GRADE
1006	1	200x75PFC	5279	119.10	300+

GENERAL NOTES
 - REMOVE ALL SHARP EDGES AND BURRS
 - ALL HOLES 022 UNLESS NOTED

REV	DESCRIPTION	DATE	DWN
A	FOR APPROVAL	22-10-12	DAS



MASTER DRAFTING & DESIGN
 Mohd. Ghaffar 9775627
 Email: dmghaffar@protonmail.com
 Unit 30, 1st Floor, Eastwind Street
 Ascot, Australia 1570000 0 4872

SLICK FAB SHOP
 SAMPLE ACCESS AND MEASURING STRUCTURE
 STANDARD STRUCTURAL PROJECT
 COMPONENT DETAILS

JOB NUMBER	12021	SHEET SIZE	A4	THIRD ANGLE PROJECTION	REV	A
DRAWING NUMBER	12021-1006					